

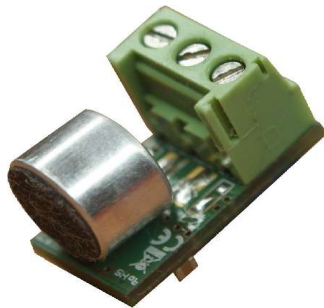


www.ropam.eu

INSTALLATION AND OPERATING MANUAL

AMR-1

Audio module (microphone)



1. Properties:

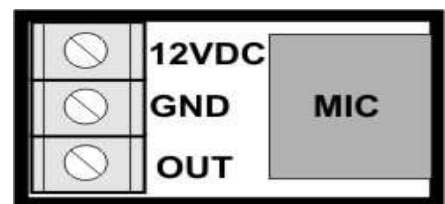
- the device features a low-noise preamplifier, variable gain amplifier (VGA)
- automatic gain control function (AGC)
- high quality audio output THD< 0,04%, SNR>61dB
- easy installation and configuration without adjustment
- built-in microphone
- compact package
- terminal blocks: I/O
- small size (11x20x14 mm)

2. Application:

- the AMR-1 module is a device used together with the MGSM 3.5/3.5-PS, MGSM 4.0/4.0-PS, MGSM 4.0 +/4.0-PS+, MGSM 5.0/5.0-PS and MGSM 2.0, MGSM 3.0 modules. the voice module is capable of replaying the object audio during the alarm or after establishing the voice message.
- CCTV systems: audio object listening and recording
- audio devices: audio recording (audio preamplifier)

3. Description of AMR-1 module elements and connectors:

Element	Opis
MIC	Microphone (directional)
12VDC	Power supply connection +U (5VDC-30VDC)
GND	Ground connection (0V) for the power supply and audio signal
OUT	Audio output connection



Draw. 1 AMR-1 module view.

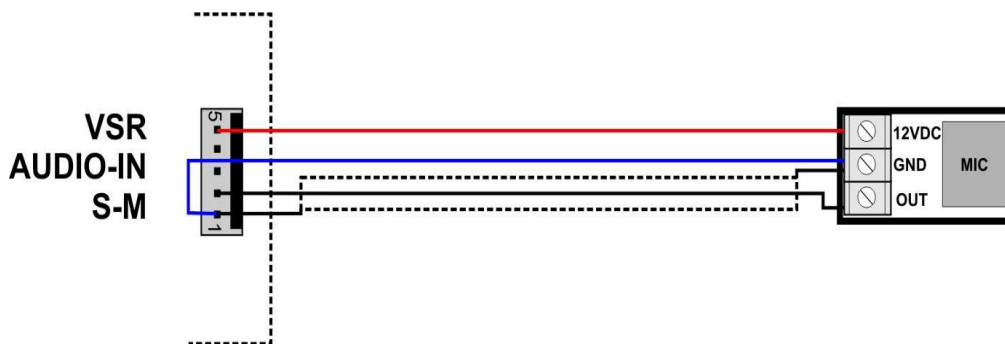
4. Installation and configuration of AMR-1

CAUTION:

- *It is required to read this manual carefully, prior to installing the device.*
- *All installation activities must be made with the power turned off.*
- *Electronic elements must be protected against electrostatic discharges*

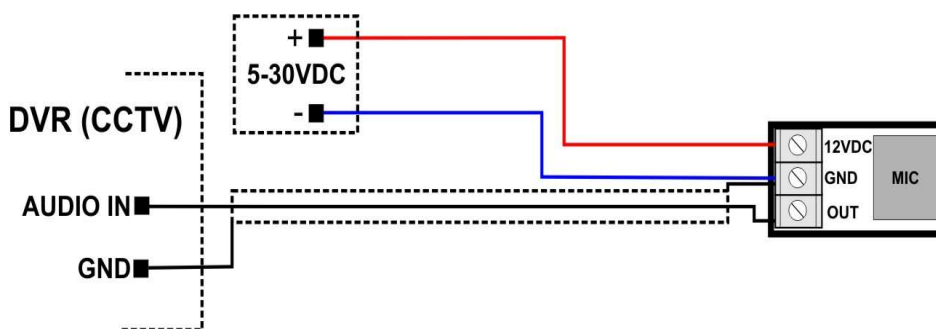
Installation and Configuration Procedure:

1. Fix the AMR-1 board (located nearly of a sound source).
2. Connect the AMR-1 to the MGSM module see: Draw. 2 or to a CCTV devices (e.g. DVRs), Draw. 3
3. Configure functions, parameters of the MGSM xx module or a CCTV devices.
4. Carry out tests and functional trials, user trainings.



VSR, AUDIO-IN, S-M connection	Description
1	GND – 0V, power supply ground
2	AUDIO SIGNAL – audio signal input
3	SYNTHESIZER TRIGGER (not used)
4	not used (NC)
5	+ 12V – voice synthesizer or audio module power supply

Draw.2 Connections the AMR-1 and the MGSMxx module.



Draw.3 Connections the AMR-1 and a CCTV devices.

5. Technical parameters

Supply voltage	U= 5V÷30V/DC, 5mA@12VDC
Transmission range (bandwidth)	20Hz÷20KHz (min./max. GAIN - AGC)
Audio output - OUT	3mV-2500mV, THD< 0,04%, SNR>61dB (Iout=2mA max.)
Input line audio parameters	C<200pF, R: 5KΩ min.
Operational conditions	Class I +5°C÷+45°C , RH = max 90% (no condensation)
Installation	self-adhesive tape
Dimensions	W11xL20xH14 [mm]
Weight	~5 [g]



WEEE MARK

The used electric and electronic products, do not mix with general household waste. There are separate collection system for used electric and electronic products in accordance with legislation under the WEEE Directive (Directive 2002/96/EC) and is effective only with EU.

All names, trade marks and registered marks used in the present manual and materials are the property of proper subjects and were only used for information purposes and products identification.